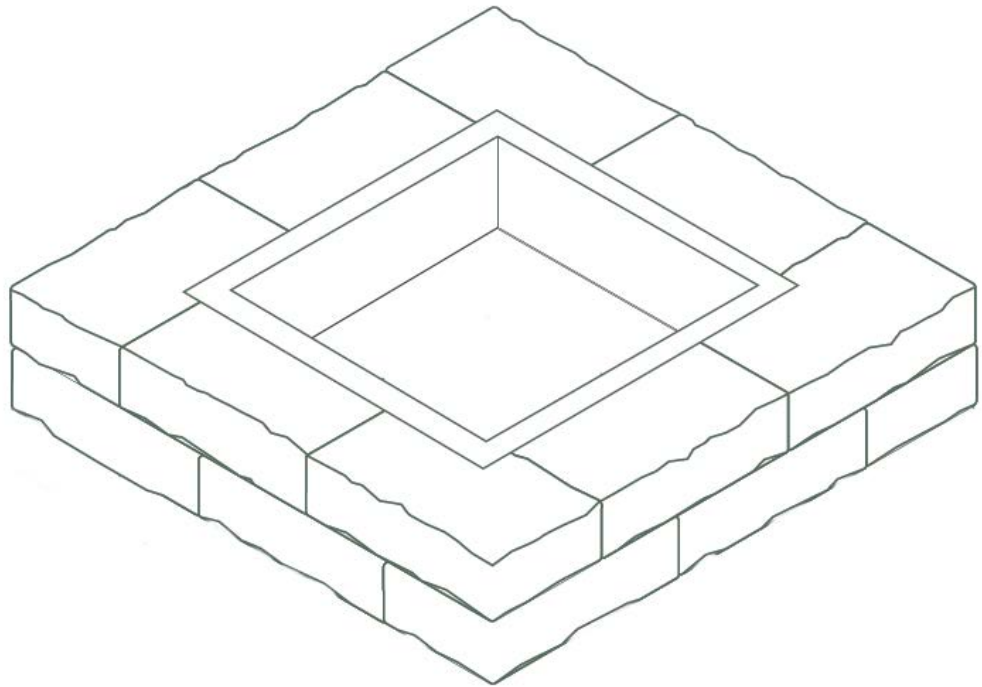




Rosetta Series:

Rockton Fire Pit



**This kit measures approximately
52" w x 52" d x 12" h**

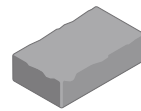
MATERIALS INCLUDED:

21" x 10.5" Rockton Corners – 16

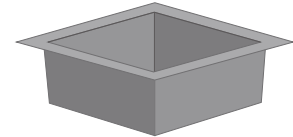
Steel Insert

Gloves

Instruction Guide



21" x 10.5"
Rockton Corners



31" x 31" x 12"
Steel Insert

OTHER ITEMS NEEDED:

Measuring Tape/Ruler

Level

Base Preparation

If installing your Rockton Fire Pit on an unstructured base, please ensure to follow these steps:

- Mark out the location for your fire pit. Excavate area approx. 5" below grade.
- Excavate approx. 6" larger than your actual kit dimensions to ensure the base is stable.

- Fill 4" with $\frac{3}{4}$ " limestone and compact.
- Level out 1" of sand and install kit as per the instruction guide.

If you are installing on a solid base such as an existing patio, base prep is not necessary. Please proceed to the first step.

Note: This manual was updated May, 2021.

For more information visit www.bestwaystone.com/outdoorelements

Read Prior to Installation

Important:

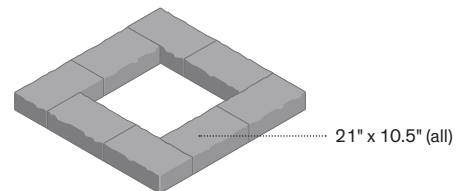
1. The consumer is responsible for reviewing the local regulations pertaining to the installation and use of this product. Please confirm that use of this product is in compliance with the by-laws, regulations, building codes and laws of your jurisdiction before using.
2. Make sure that you locate your respective gas lines, wires, water pipes, and/or any above ground and underground services in your area and install your Rockton Fire Pit in the proper distance away from them. Check with your provider for location and distance requirements prior to installation.
3. Check with your insurance provider concerning the installation, use, value implications and/or any other considerations in regard to your Rockton Fire Pit.
4. Fire pit is not suitable for large fires. Fire size should not allow flame to contact the top layer. Fire pit should not be placed directly on concrete products as high heat can adversely affect the integrity of the product.

Step 1

- A** On your selected location, lay out the first layer using pattern A.
- B** Ensure that this layer is level to allow for a proper installation.

USE:

21" x 10.5" Rockton Corners – 8

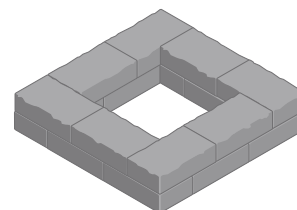


Step 2

- A** The second layer uses pattern B, which is offset from the previous pattern.

USE:

21" x 10.5" Rockton Corners – 8



Step 3

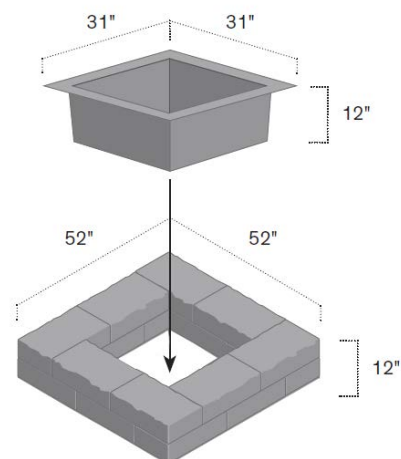
- A** Install steel insert in centre of fire pit.

USE:

Steel Insert – 1

NOTE:

The steel insert retains heat long after use.
Ensure it is cool before touching.





1-800-bestway (237-8929)
bestwaystone.com

Woodbridge (Head Office)

8821 Weston Road
Woodbridge, ON L4L 0K9
T 905-851-5122
F 905-851-7603


Uxbridge


65 Anderson Boulevard
Uxbridge, ON L9P 0C7
T 905-640-5845
F 905-640-9773

 facebook/bestwaystone

 @bestwaystone

 pinterest/bestwaystone

 houzz/bestwaystone

 @bestwaystone