

# BARNBEAM™ WALL + CURB

SIGNATURE SERIES | WETCAST DOUBLE-SIDED WALL | DRY STACK

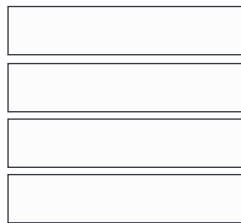


## UNIT



40w x 6h x 8d in  
1015w x 152h x 203d mm  
Units/bundle: 16

## BUNDLE OVERVIEW



## COLOUR

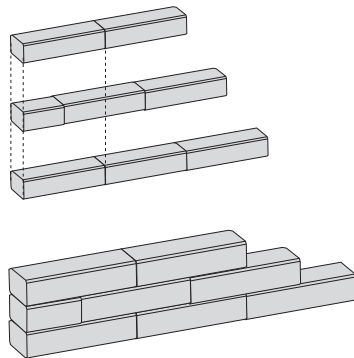


Weatherwood

## BUNDLE SPECIFICATIONS

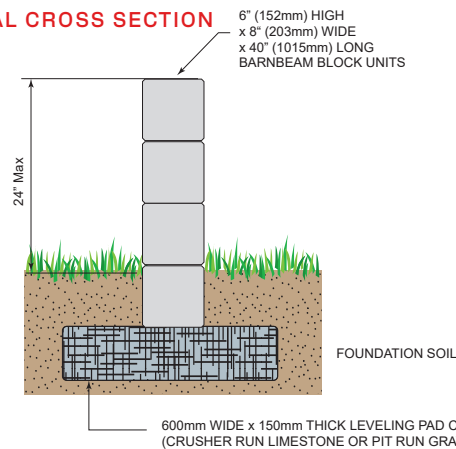
	IMPERIAL	METRIC
Coverage	26.6 ft <sup>2</sup>	2.47 m <sup>2</sup>
Lineal Coverage	53.3 ft	16.24 m
Weight	2527 lbs	1146 kg
Weight per unit	158 lbs	71.7 kg
Coverage per unit	1.66 ft <sup>2</sup>	0.15 m <sup>2</sup>
Lineal coverage per unit	3.33 ft	1.01 m

## 1/2 OFF-SET

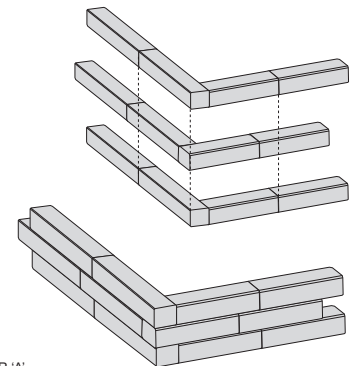


Create 1/2 unit (20" w) to start alternating rows.

## TYPICAL CROSS SECTION



## CORNER CONSTRUCTION



Alternate overlap each row.

## NOTES

The Barnbeam™ wall combines the natural grains and details of wood with the durability of concrete. These three sided units are produced using Best Way Stone's wet cast technology allowing for maximum detail and integral colouring throughout the surface.

Fire pit kit available